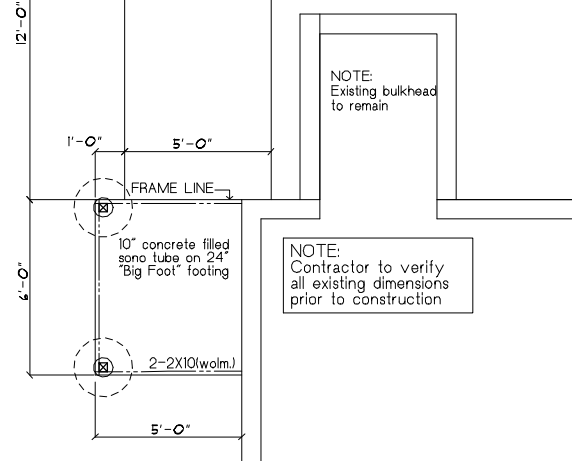
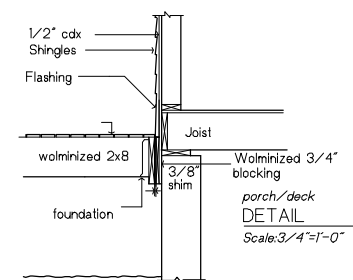


Proposed
FOUNDATION PLAN

Scale: 1/4"=1'-0"



PROPOSED GARAGE FOR:

Mr. & Mrs. J. Aucoin

Millstone Road, Brewster, MA.

4 MAR 2010

REV:10 MAR 2010

A3

ZIBRAT & MCCARTHY LLP

d e s i g n s

63 Crowell Road
Chatham, Mass. 02633
508-945-9424